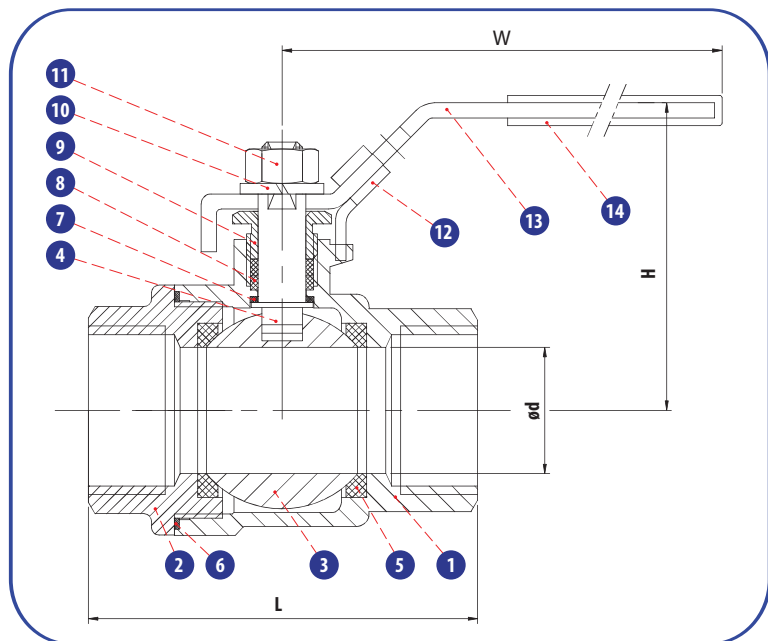




# SERIES 62 BALL VALVES

## 2 PIECE SCREWED - LEVER OPERATOR

### DN8-DN100



#### MATERIALS OF CONSTRUCTION

PART	MATERIAL
1	Body CF8 CF8M
2	Cap CF8 CF8M
3	Ball CF8 CF8M
4	Stem SS304 SS316
5	Seat PTFE
6	Gasket PTFE
7	Thrust Washer PTFE
8	Packing PTFE
9	High Washer SS304
10	Spring Washer SS304
11	Stem Nut SS304
12	Locking Device SS304
13	Handle SS304
14	Plastic Cover Plastic

#### DIMENSIONS

DN	d	L	H	W	Cv	Kg
8	11.6	47	48	100	6	0.18
10	11.6	49	48	100	7	0.19
15	15.0	58	52	100	10	0.26
20	20.0	66	61	127	25	0.40
25	25.0	77	65	127	35	0.59
32	32.0	90	79	154	46	1.00
40	38.0	98	83	154	80	1.32
50	50.0	121	97	192	110	2.46
65	65.0	145	135	244	310	4.83
80	80.0	166	144	244	360	7.45
100	100	240	159	275	820	16.1

#### FEATURES & BENEFITS

- High performance 2 piece body design
- Investment casting body
- Full bore
- Blow out proof stem design
- Quarter turn on/off operation
- Low torque
- Long cycle life
- Rugged design

#### OPTIONS

- Locking device

#### PRESSURE

- DN8-DN50: 1000 PSI
- DN65-DN100: 800 PSI

#### END CONNECTIONS

- BSPP
- NPT

#### APPLICATIONS

- General Industry
- Food & Beverage
- Plant services
- Water
- Air

#### FAST TRACK

In house manufacture and stock holdings allow KDV to deliver quickly, and reliably facilitate fast-track projects.

Visit our website for information on the full range of KDV Industrial Valves

[www.kdvflow.com](http://www.kdvflow.com)