



SERIES 24 CHECK VALVES PFA LINED POPPET - FLANGED



DN15 - DN100

FEATURES & BENEFITS

- Spring assisted poppet
- PFA, PTFE & Hastelloy to all wetted parts
- Robust design
- Positively located spring and poppet
- Crush resistant design
- Ideal for low pressure duties
- Full bore design
- Horizontal or vertical installation
- Standard Hastelloy C276 spring
- Durable, high cycle performance
- Easy disassembly

OPTIONS

- Stainless Steel body
- Spring Options
 - PTFE encapsulated
 - Alternative materials
 - Spring removed (floating poppet)
 - Alternative pressure rated

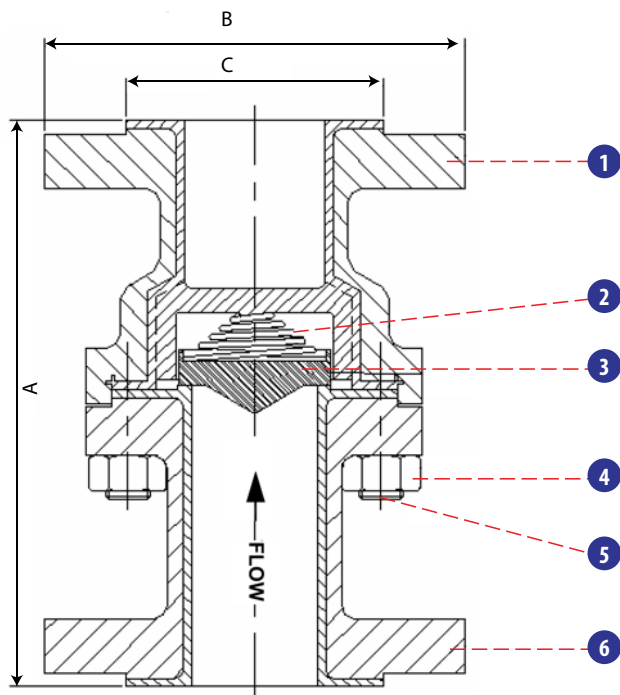
PRESSURE

- To suit ASME 150 piping systems

FAST TRACK

In house manufacture and stock holdings allow KDV to deliver quickly, and reliably facilitate fast-track projects. Visit our website for information on the full range of KDV Diaphragm Valves.

www.kdvflow.com



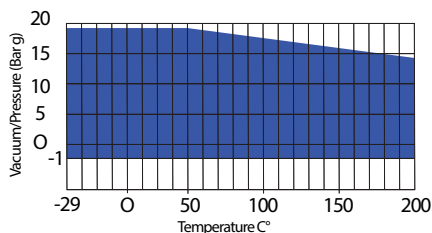
Materials of Construction

1	Body	Carbon Steel/PFA	ASTM A216 Gr. WCB/ASTM D3307
2	Spring	Hastelloy C276	ASTM B574 Gr. UNSN10276
3	Poppet	PTFE	BS 6564 UA 1/1
4	Nut	Stainless Steel	ASTM F594 GR. 304
5	Stud	Stainless Steel	BS970 PT 1 Gr 303S42
6	Valve Inlet	Carbon Steel/PFA	ASTM A216 Gr WCB/ASTM D3307
-	Paint Finish	High Gloss Purple	POLYURETHANE

Dimensions & Weight

DN	A		B		C	Weight	
	ANSI	PN10/16	ANSI	PN10/16	ANSI/PN10-16	ANSI	PN10/16
15	130	-	89	-	41	2.5	-
20	150	-	98	-	50	3.0	-
25	152	160	108	115	51	3.0	4.0
40	178	200	127	150	73	7.0	7.0
50	203	230	152	165	92	10	10
80	241	310	190	200	127	18	20
100	292	350	229	220	152	28	30

Performance



www.kdvflow.com

The information above is for general guidance only. Kim Diaphragm Valves Pty. Ltd. reserves the right to change specifications without notice. KDV, Kim Diaphragm Valves and logo are Trade Marks and Registered Trade Marks. Hyplaton and Viton are Registered Trade Marks of El Duport De Nemours and Company. © Copyright 6/2012, Kim Valves Australia Pty. Ltd.

HEAD OFFICE - AUSTRALIA
16-18 Overseas Drive,
Noble Park, Vic
Australia, 3174
Tel: +61 3 8793 4000
Email: info@kdvflow.com
www.kdvflow.com

KDV (THAILAND) CO. LTD
111/2 Moo.3, Tambol Krathun Lom
Amphur Samphran,
Nakornpathom 73220
Tel: +66 2 420 3848
Email: info@kdv.co.th
www.kdv.co.th

KDV CHINA
Xiaozhan Development Area
Jinnan
Tianjin City
China
Email: info@kdvflow.com
www.kdvflow.com

USA
KDV LLC
Suite 105
2785 Clairmont Road N.E
Atlanta, Georgia 30329
www.kdvflow.com